



Solar light (LA series)

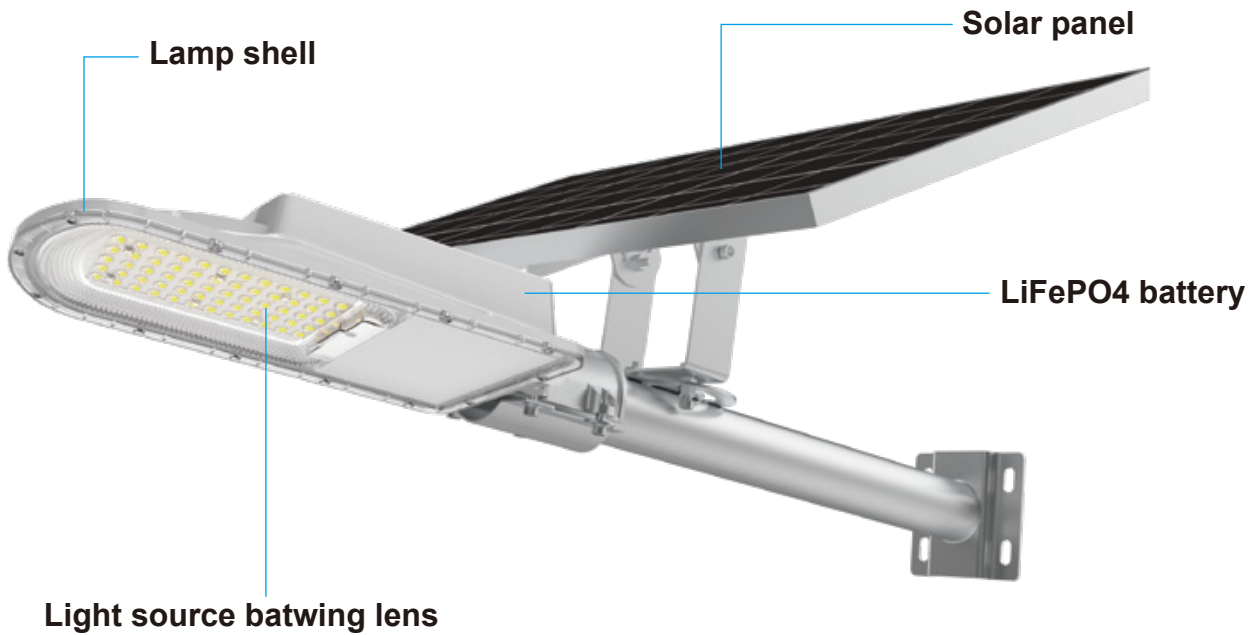
LA-30P

LA-60P

Come from nature, Light up the future

Unique Structure Design

All in two structure is easy to transport, install and maintain.



LA-30P



LA-60P

(Without bracket and arm)

Core Technologies



Light Efficiency Management

Multiple led chip work simultaneously, the whole system light efficiency has been improved to 160lm/w



Charge and Discharge Management

Protect battery by software and hardware, more than 2000 time's cycles.



Battery Program Updated

Embedded single string control technology. More stable and longer lifespan.



Patent Bat-wing Lens

Lighting area much wider, the maximum of using the lighting all light the road.



Intelligent power control

Judge recent climate plan the reasonable discharge power.

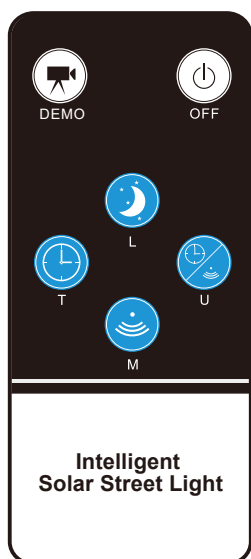








Battery Power indicator

To check lamp's charge and discharge conveniently.

Battery Indicator

6 working modes



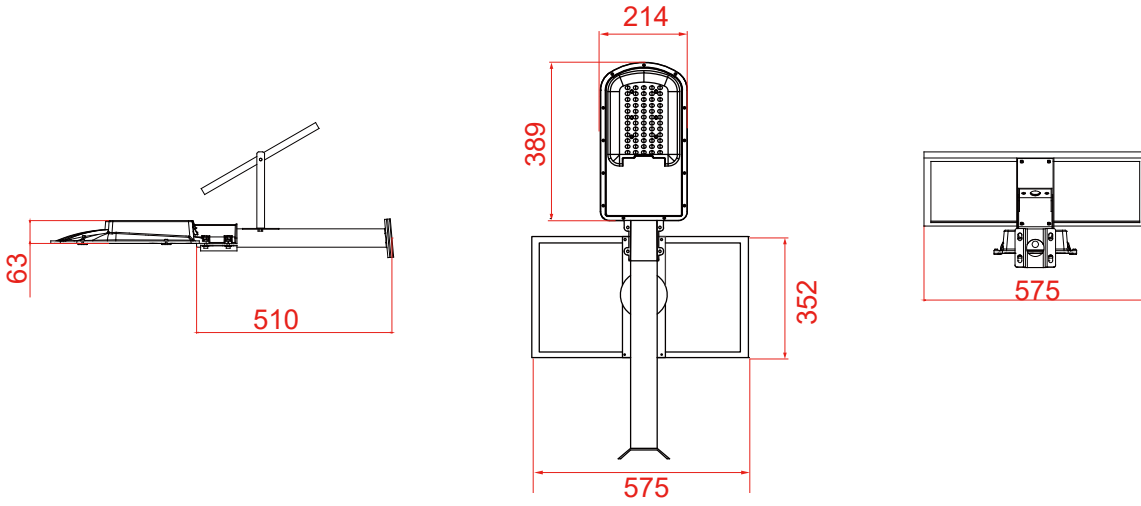
-  **DEMO:** No matter day or night, light "on" for 1 minute. Only for test use
-  **OFF:** Light "off", no matter day or night
-  **L:** At night, 100%-2hrs, 60%-3hrs, 20%-dawn
-  **T:** At night, 100%-3hr, 50%-3hrs, 30%-2hrs
-  **M:** At night, 100%-3hrs, 50%-3hrs
-  **U:** At night, 100%-3hrs, 50%-3hrs(Highlight mode)

Remark:

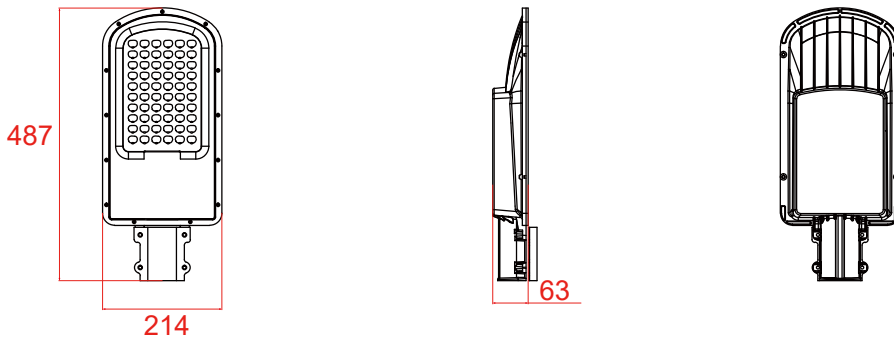
- 1、 6 working modes option via remote control, default mode is L.
- 2、 U Highlight mode: Increase 30% on the original basis, mean
3H-130%, 3H-80%

Dimension

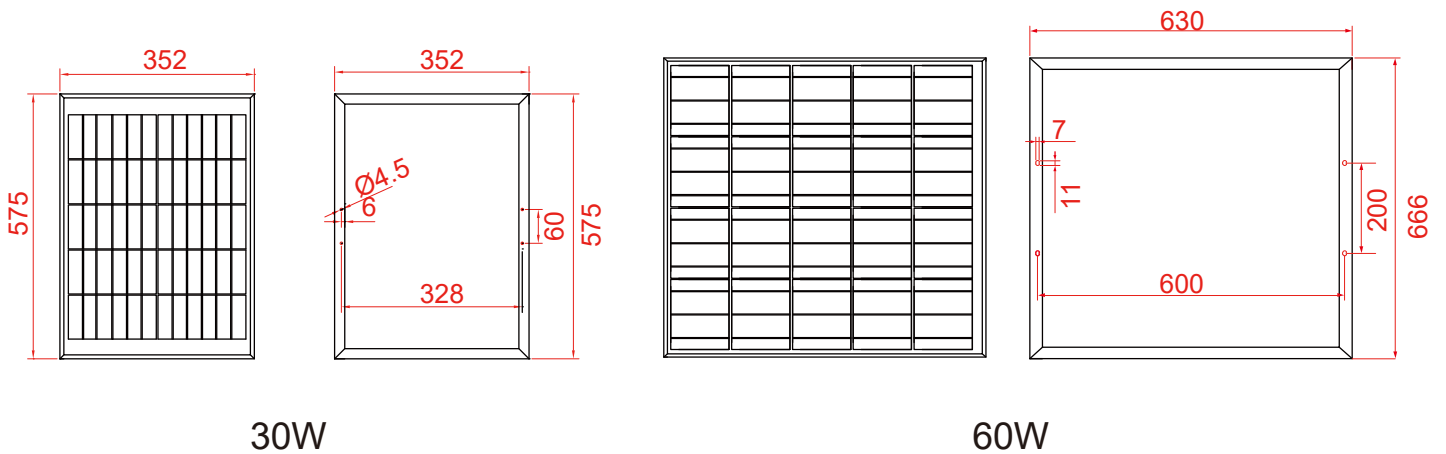
LA-30P



LA-60P



Solar panels



Parameter

Technical parameter

	Type	LA-30P	LA-60P	
Panel	Power	30W/5V	60W/5V	
	Material	Poly crystalline silicon		
	Solar cell efficiency	17-18%		
Lithium battery	Capacity	80WH	128WH	
	Charge cycle times	2000 times		
Lamp head	Luminous flux	1800lm	2500lm	
	Light output	12W	15W	
	LED qty	60pcs		
	LED chip	Bridgelux		
	Color temperature	3000-7500K		
	CRI	≥70Ra		
	Material of lamp head	Die-cast aluminum		
	Lifespan	50000hrs		
	System	Light distribution	Batwing lens with polarized light	
		Beam angle	X-axis: 155° Y-axis: 55°	
Lighting time(full charged)		5-7 rainy days		
Operation temperature		-20°C~60°C		
Installation	Top diameter of pole	60mm		
	Height	5-6m		

Application



Pathway



Village road



School



Park



Villa



Parking lots



Temple



Resort



Factory

